

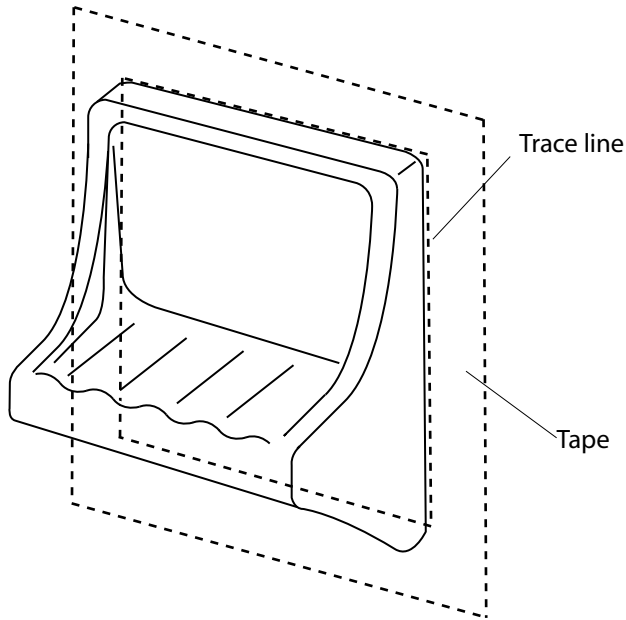


division of Fiberglass Systems, Inc.  
4545 Enterprise Street Boise, ID 83705  
ph.: 800-727-9907 fax: 800-627-0929 www.best-bath.com

## Installation Instructions

# Soap Dish Surface Mount

**SDSM**



### Soapdish kit:

1 ea soapdish  
2 part 5 min. Epoxy  
Silicone caulk

### Supplies and tools needed:

Sandpaper  
Cleaning solvent (alcohol or acetone)  
Masking tape  
Rags or paper towel  
Tape measure  
Optional: Hot-melt glue gun

### Installation:

1. Hold the soapdish level up to the tape and trace around it with a pencil.
2. Tape off around the traced area and the soapdish as shown.
3. Clean this area and the contact edge of the soapdish with solvent i.e. alcohol or acetone.
4. Scuff the area with sandpaper.
5. Blow or brush off the sanding dust.
6. Mix the adhesive according to the instructions on the pack.
7. Spread on the back of the soap dish, then push it into position and hold steady.
8. Remove the masking tape with the excess adhesive right away with your free hand.
9. Hold the soapdish in place for a few minutes until you feel it has set up enough to hold or secure with Hot-melt glue while the epoxy cures.
10. When the adhesive has cured fairly solid (approx. 5 minutes), apply a small bead of silicone where the soapdish and the showerwall meet.